



## SPECIFICATION FOR APPROVAL

Customer : \_\_\_\_\_

Customer P/N: \_\_\_\_\_

Drawing No : \_\_\_\_\_

Quantity : 0 Pcs. Date : 2024/4/26

Chilisin P/N : APPMLM151365232XY0

### Automotive Grade Inductor

**Halogen Free  
RoHS Compliant  
REACH Compliant  
Lead Free Solders  
AEC-Q200**

奇力新電子股份有限公司  
Chilisin Electronics Corp  
No. 29, Alley 301, Tehhsin Rd.,  
Hukou, Hsinchu 303, Taiwan  
TEL : +886-3- 599-2646  
FAX : +886-3- 599-9176  
E-mail : sales@chilisin.com  
http : //www.chilisin.com

東莞奇力新電子(東莞廠)有限公司  
Chilisin Electronics (Dongguan) Co., Ltd.  
No. 78, Puxing Rd., Yuliangwei Administration Area,  
Qingxi Town, Dongguan City, Guangdong, China  
TEL : +86-769-8773-0251~3  
FAX : +86-769-8773-0232  
E-mail : cect@chilisin.com

奇力新電子(越南廠)有限公司  
Chilisin Electronics (Vietnam) Limited  
No 143 - 145, Road No 10, VSIP Hai Phong,  
Lap Le Commune, Thuy Nguyen Dist,  
Haiphong City, Vietnam  
Tel : 84-316 255 688 Fax : 84-316 255  
689

奇力新電子(湖南廠)有限公司  
HuNan Chilisin Electronics Technology Co., Ltd  
No. 8, Shaziao Liangshuijing Town, Yuanling  
County, Huaihua City, Hunan Province 419601,  
China  
Tel : 86-745-867-5882  
E-mail : cect@chilisin.com

Applied by  
**S008 唐蒙雨**

Checked by  
**R026 呂航軍**

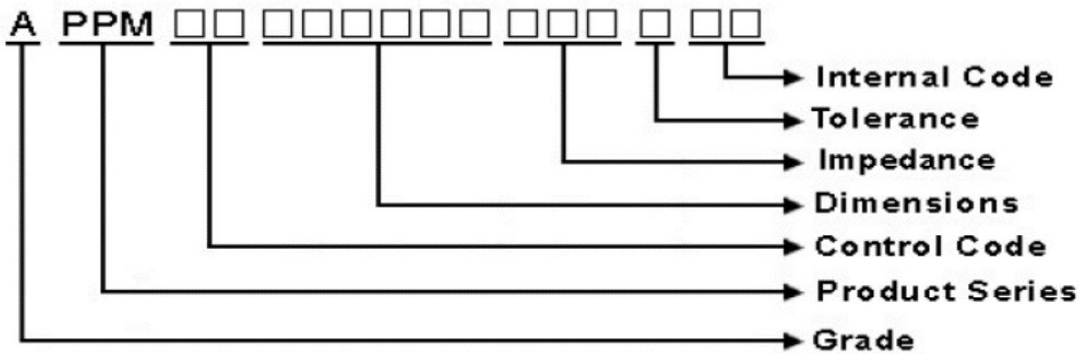
Approved by  
**R065 陳品榆**

# APPMLM151365 Series Specification

AEC-Q200

**1 Scope:** This specification applies to SMD Common mode filter

**2 Part Numbering:**



**3 Rating:**

Operating Temperature: - 4 0 °C ~ 1 2 5 °C  
 Maximum part temperature : +165°C (Including self - temperature rise)  
 Storage Temperature: - 4 0 °C ~ 1 2 5 °C

**4 Marking:**



**Ex Marking : 701**

**Marking color : White**

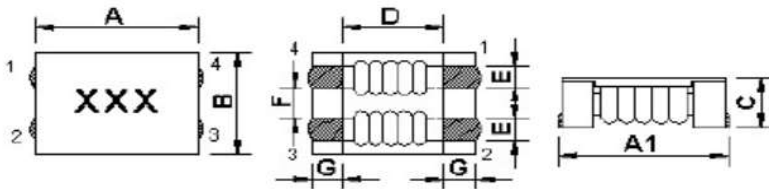
**5 Standard Testing Condition**

	Unless otherwise specified	In case of doubt
Temperature	Ordinary Temperature(15 to 35°C)	20 to 30°C
Humidity	Ordinary Humidity(25 to 85% RH)	50 to 80 %RH

# APPMLM151365 Series Specification

AEC-Q200

## 6 Configuration and Dimensions:



Dimensions in mm

TYPE	151365
A	15.0±0.5
A1	15.5±0.5
B	13.0±0.4
C	6.5Max.
D	9.0 Typ.
E	3.4 Typ.
F	2.8 Typ.
G	3.0 Typ.

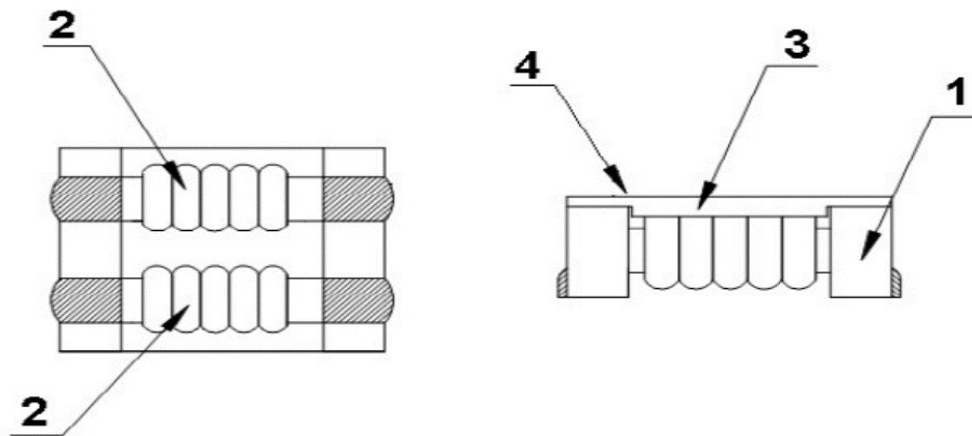


## 7 Electrical Characteristics:

Part No.	Impedance (Ω)Min.	Impedance (Ω)Typ.	Test Freq.	RDC(mΩ)Max. (1 line)	Rated Current (A)Max.	Insulation Resistance (MΩ)Min.	Rated Voltage (V)Max.	Marking
APPMLM151365301XY0	250	300	100MHz,0.5V	4.7	13	10	80	301
APPMLM151365551XY0	450	550	100MHz,0.5V	3.8±20%	10	10	80	551
APPMLM151365701XY0	500	700	100MHz,0.5V	7	10	10	80	701
APPMLM151365152XY0	1100	1500	50MHz,0.5V	9	8.5	10	80	152
APPMLM151365232XY0	1800	2300	50MHz,0.5V	11	7.0	10	80	232

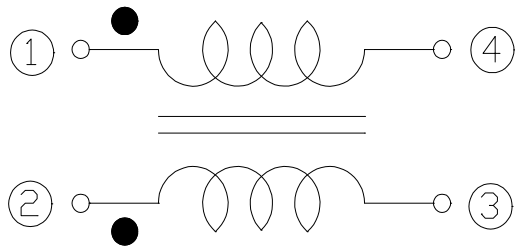
**NOTE:**

1. Operating temperature range - 4 0 °C ~ 1 2 5 °C
2. Rated Current: Based on temperature rise (ΔT:40°C TYP)

**8 APPMLM151365 Series****8.1 Construction:****8.2 Material List:**

No	Part
1	Ferrite core
2	Wire
3	LCP
4	INK

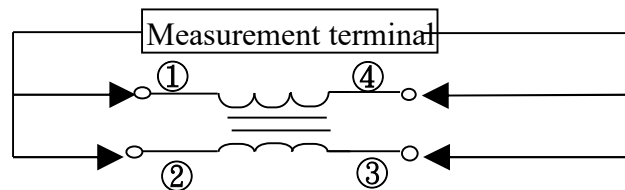
## CHARACTERISTICS(REFERENCE)



## TEST EQUIPMENT

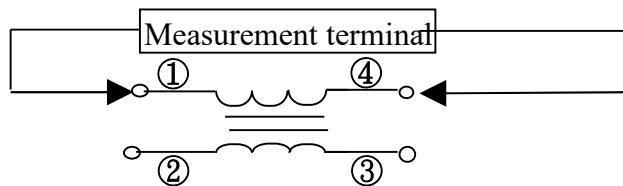
### 1. Impedance

Measured by using HP4291B RF Impedance Analyzer.



### 2. DC Resistance

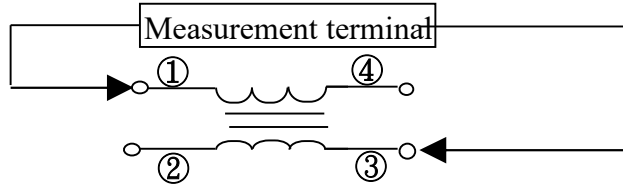
Measured by using Chroma 16502 milliohm meter.



### 3. Insulation Resistance

Measured by using Chroma 19073

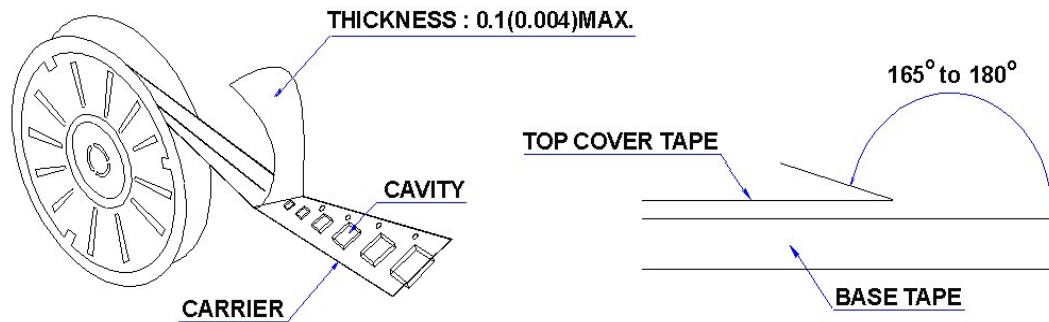
Measurement voltage : 50V ,Measurement time : 3 sec.



## 9 Packaging:

### 9.1 Packaging -Cover Tape

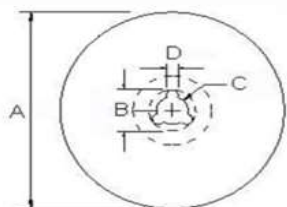
The force for tearing off cover tape is 10 to 130 grams in the arrow direction.



### 9.2 Packaging Quantity

TYPE	PCS/REEL
151365	450

### 9.3 Reel Dimensions



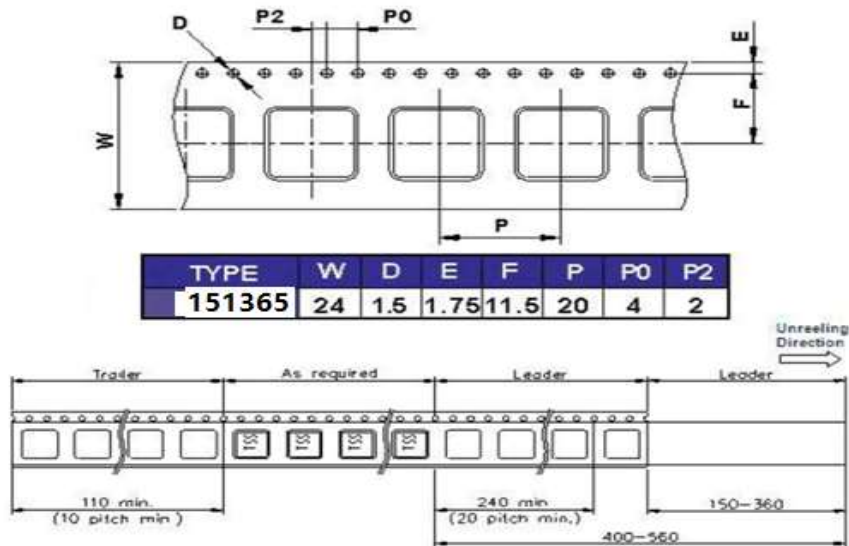
Dimensions in mm

TYPE	A	B	C	D
151365	330	20	13	2

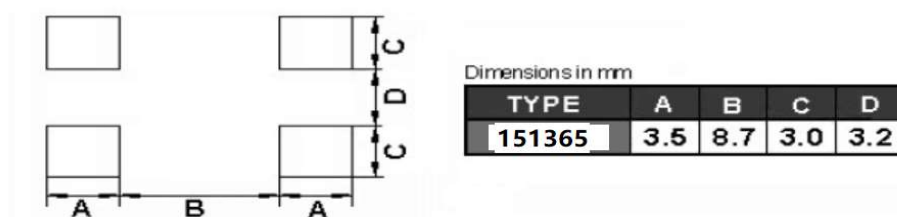
# APPMLM151365 Series Specification

## 9 Packaging:

### 9.4 Tape Dimensions in mm



## 10 Recommended Land Pattern:



## 11 Note:

1. Please make sure that your product has been evaluated and confirmed against your specifications when our product is mounted to your product.
2. Do not knock or drop.
3. All the items and parameters in this product specification have been prescribed on the premise that our product is used for the purpose, under the condition and in the environment agreed upon between you and us. You are requested not to use our product deviating from such agreement.
4. Please keep the distance between transformer/coil and other components (refer to the standard IEC 950)
5. The moisture sensitivity level (MSL) of products is classified as level 1.

# APPMLM151365 Series Specification

12 Graph: APPMLM151365 Series

