



Form No.: QF-1274
Edition: 2

ISO9001 ISO14001 IATF16949 CHILISIN ELECTRONICS CORP.

RoHS & Halogen Free & REACH Compliance.

SPECIFICATION FOR APPROVAL

Customer : _____

Customer P/N: _____

Drawing No : _____

Quantity : 0 Pcs. Date : 2023/10/17

Chilisin P/N : BPTE00090550110Y0E

SPECIFICATION ACCEPTED BY:	
COMPONENT ENGINEER	
ELECTRICAL ENGINEER	
MECHANICAL ENGINEER	
APPROVED	
REJECTED	

奇力新電子股份有限公司
Chilisin Electronics Corp
No. 29, Alley 301, Tehhsin Rd.,
Hukou, Hsinchu 303, Taiwan
TEL : +886-3- 599-2646
FAX : +886-3- 599-9176
E-mail : sales@chilisin.com
http : //www.chilisin.com

東莞奇力新電子(東莞廠)有限公司
Chilisin Electronics (Dongguan) Co., Ltd.
No. 78, Puxing Rd., Yuliangwei Administration Area,
Qingxi Town, Dongguan City, Guangdong, China
TEL : +86-769-8773-0251~3
FAX : +86-769-8773-0232
E-mail : cect@chilisin.com

奇力新電子(越南廠)有限公司
Chilisin Electronics (Vietnam) Limited
No 143 - 145, Road No 10, VSIP Hai Phong,
Lap Le Commune, Thuy Nguyen Dist,
Haiphong City, Vietnam
Tel : 84-316 255 688 Fax : 84-316 255
689

奇力新電子(湖南廠)有限公司
HuNan Chilisin Electronics Technology Co., Ltd
No. 8, Shaziao Liangshuijing Town, Yuanling
County, Huaihua City, Hunan Province 419601,
China
Tel : 86-745-867-5882
E-mail : cect@chilisin.com

Drawn by
?美玲 ling

Checked by
呂航軍 Marco

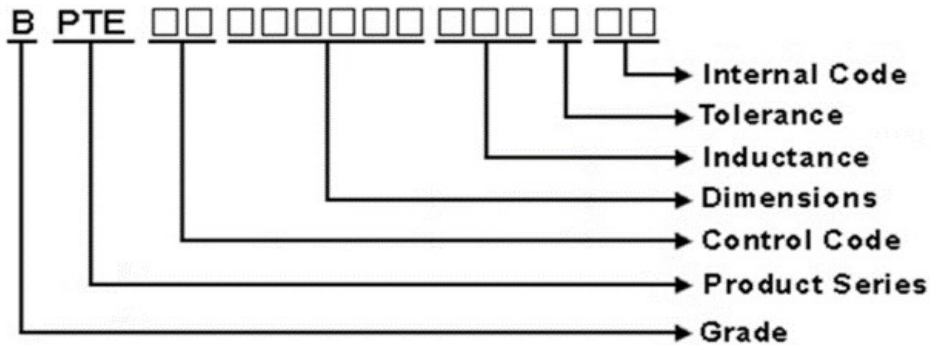
Approved by
葉秀發 Alfa

YG21900274

BPT E00090550 Series Specification

1 Scope: This specification applies to SMD Common mode filter

2 Part Numbering:

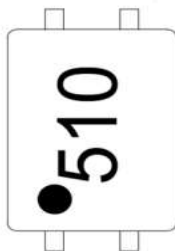


3 Rating:

Operating Temperature: - 4 0 °C ~ 1 2 5 °C(Including self - temperature rise)

Storage Temperature: - 4 0 °C ~ 1 2 5 °C

4 Marking:



Ex Marking : •510

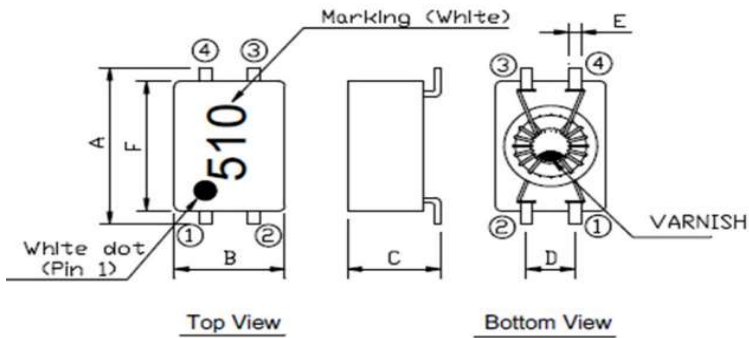
Marking color : White

5 Standard Testing Condition

	Unless otherwise specified	In case of doubt
Temperature	Ordinary Temperature(15 to 35°C)	20 to 30°C
Humidity	Ordinary Humidity(25 to 85% RH)	50 to 80 %RH

BPTE00090550 Series Specification

6 Configuration and Dimensions:



A:	8.9±0.5	mm
B:	5.4±0.3	mm
C:	5.0 Max.	mm
D:	2.54±0.3	mm
E:	0.5 Typ.	mm
F:	7.3±0.3	mm

7 Electrical Characteristics:

Part No.	Inductance 1-4=2-3(uH).	Impedance (Ω)Typ.	Test Freq.	RDC(mΩ)Max. (1 line)	Rated Current (mA)Max.	Insulation Resistance (mΩ)MIN. 50V/1S	Rated Voltage (V)Max.
BPTE00090550110Y0E	11+50%/-30%	160	100KHz,0.1V	120	0.5	10	250

NOTE:

1. Operating temperature range - 4 0 °C ~ 1 2 5 °C(Including self - temperature rise)
2. Rated Current:Based on temperature rise (ΔT:40°C TYP)

BPTE00090550 Series Specification

8 BPTE00090550 Series

8.1 Construction:



8.2 Material List:

NO.	ITEM	DESCRIPTION	SUPPLIER
1	CORE	FERRITE	FENGYIN OR EQ
2	CASE	LCP E4008	YUANXIN OR EQ
3	WIRE	P180 Grd1	ELEKTRISOLA OR EQ
4	EPOXY	E-XNR3614	CHANGLAI OR EQ
5	SOLDER	Sn99.3:Cu0.7	SHENYUAN OR EQ

BPTE00090550 Series Specification

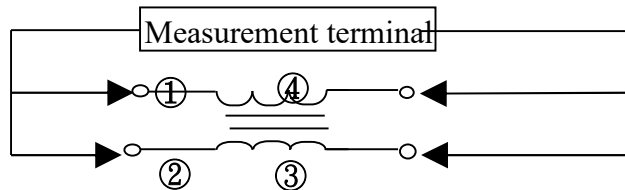
CHARACTERISTICS(REFERENCE)



TEST EQUIPMENT

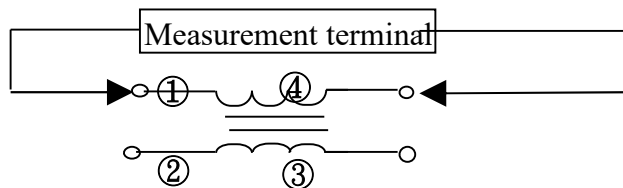
1. Impedance

Measured by using HP4291B RF Impedance Analyzer.



2. DC Resistance

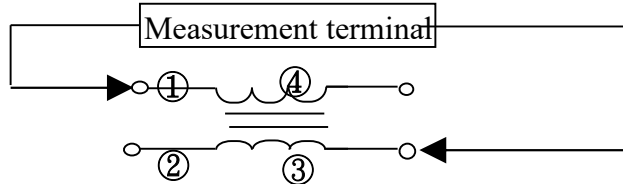
Measured by using Chroma 16502 milliohm meter.



3. Insulation Resistance

Measured by using Chroma 19073

Measurement voltage : 50V ,Measurement time : 3 sec.

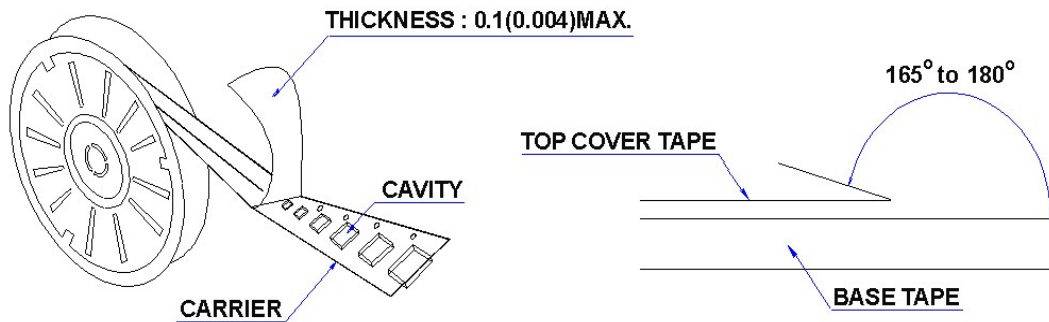


BPTE00090550 Series Specification

9 Packaging:

9.1 Packaging -Cover Tape

The force for tearing off cover tape is 10 to 130 grams in the arrow direction.

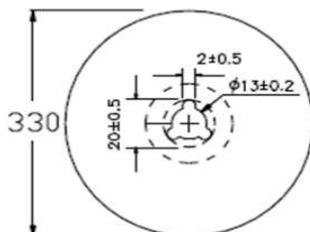


9.2 Packaging Quantity

TYPE	PCS/RELL
90550	1500

9.3 Reel Dimensions

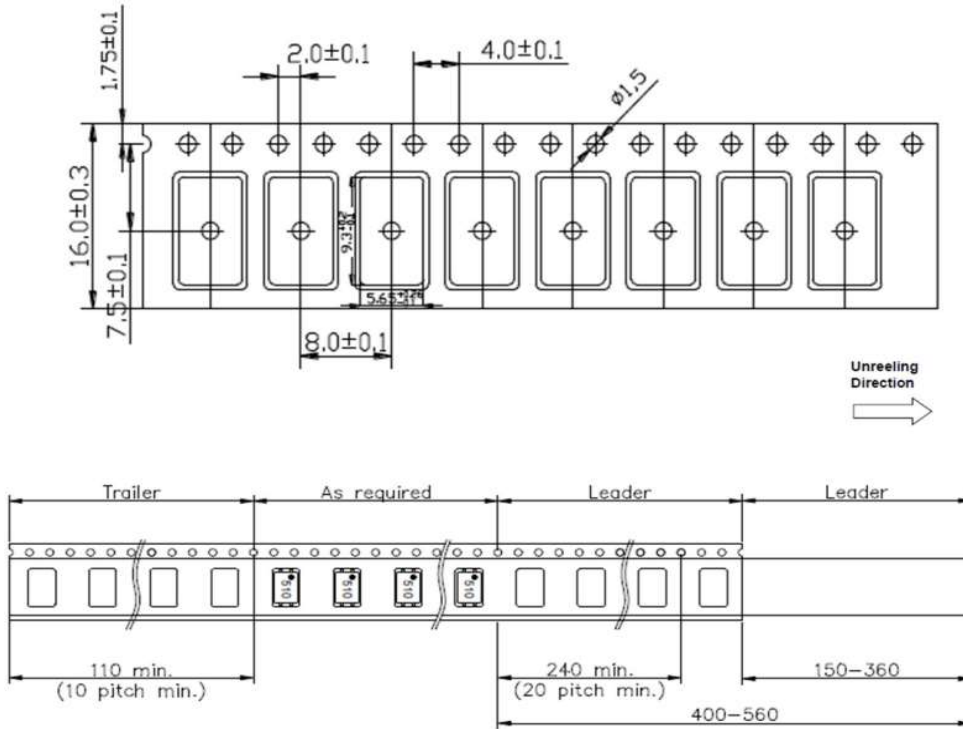
Unit : mm



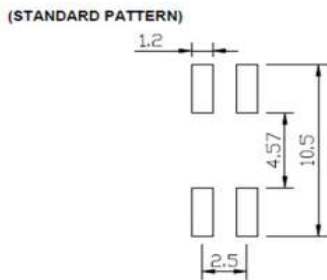
BPTE00090550 Series Specification

9 Packaging:

9.4 Tape Dimensions in mm



10 Recommended Land Pattern:



11 Note:

1. Please make sure that your product has been evaluated and confirmed against your specifications when our product is mounted to your product.
2. Do not knock or drop.
3. All the items and parameters in this product specification have been prescribed on the premise that our product is used for the purpose, under the condition and in the environment agreed upon between you and us. You are requested not to use our product deviating from such agreement.
4. Please keep the distance between transformer/coil and other components (refer to the standard IEC 950)
5. The moisture sensitivity level (MSL) of products is classified as level 1.