



Form No.: QF-1274
Edition: 2

ISO9001 & ISO14001 & TS16949 **CHILISIN ELECTRONICS CORP.**

RoHS & Halogen Free & REACH Compliance.

SPECIFICATION FOR APPROVAL

Customer : _____

Customer P/N: _____

Drawing No : _____

Quantity : 0 Pcs. Date : 2025/2/7

Chilisin P/N : PCI0420T-142-AU

SPECIFICATION ACCEPTED BY:	
COMPONENT ENGINEER	
ELECTRICAL ENGINEER	
MECHANICAL ENGINEER	
APPROVED	
REJECTED	

奇力新電子股份有限公司
Chilisin Electronics Corp
No. 29, Alley 301, Tehhsin Rd.,
Hukou, Hsinchu 303, Taiwan
TEL : +886-3- 599-2646
FAX : +886-3- 599-9176
E-mail : sales@chilisin.com
http : //www.chilisin.com

東莞奇力新電子(東莞廠)有限公司
Chilisin Electronics (Dongguan) Co., Ltd.
No. 78, Puxing Rd., Yuliangwei Administration
Area, Qingxi Town, Dongguan City,
Guangdong, China
TEL : +86-769-8773-0251~3
FAX : +86-769-8773-0232
E-mail : cect@chilisin.com

奇力新電子(越南廠)有限公司
Chilisin Electronics (Vietnam) Limited
No 143 - 145, Road No 10, VSIP Hai Phong,
Lap Le Commune, Thuy Nguyen Dist,
Haiphong City, Vietnam
Tel : 84-316 255 688 Fax : 84-316 255
689

奇力新電子(湖南廠)有限公司
HuNan Chilisin Electronics Technology Co., Ltd
No. 8, Shaziao Liangshuijing Town, Yuanling
County, Huaihua City, Hunan Province 419601,
China
Tel : 86-745-867-5882
E-mail : cect@chilisin.com

Drawn by
溫美玲 ling

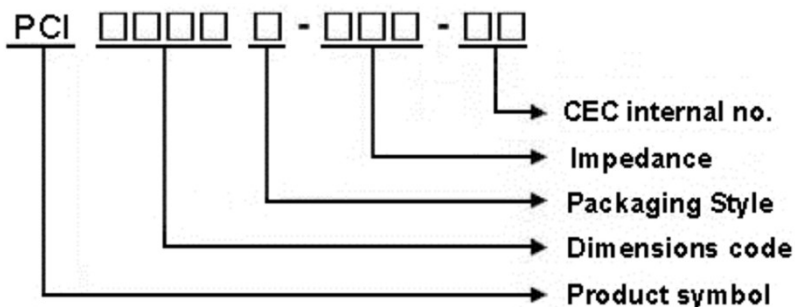
Checked by
趙燕玲 annie

Approved by
鍾瑞民 jacky.chung

PCI0420T Series Specification

1 Scope: This specification applies to PCI Filter

2 Part Numbering:



3 Rating:

Operating Temperature: - 4 0 °C ~ 1 0 5 °C(Including self - temperature rise)

Storage Temperature: 2 0 °C ~ 2 5 °C R.H. 6 5 %(In Tape & Reel Condition)

4 Marking:



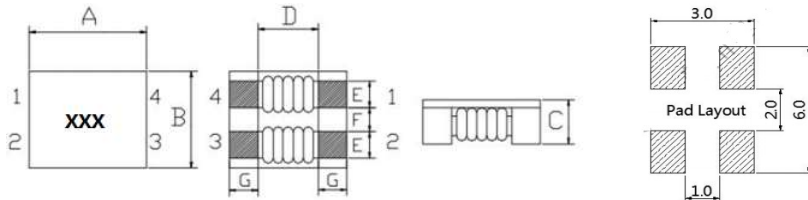
Ex: PCI0420T-102-N
Marking: 102
Marking color: White

5 Standard Testing Condition

	Unless otherwise specified	In case of doubt
Temperature	Ordinary Temperature(15 to 35°C)	20 to 30°C
Humidity	Ordinary Humidity(25 to 85% RH)	50 to 80 %RH

PCI0420T Series Specification

6 Configuration and Dimensions:



Dimensions in mm

A	4.7 ±0.5
B	4.5 ±0.5
C	2.0MAX
D	2.7 TYP
E	0.75 TYP
F	1.25 TYP
G	1.0 TYP

7 Electrical Characteristics:

Part No.	Inpedance (Ω)Min/Typ.	Test Freq.	RDC (m Ω)Max.	I _{rms} (A)	IR (m Ω)Min.	Rated Voitage (V)Max	Marking
PCI0420T-900-AU	30/60	100MHz,0.1 V	35	3.2	10	50	900
PCI0420T-151-AU	80/140	100MHz,0.1 V	40	3.1	10	50	151
PCI0420T-231-AU	180/230	100MHz,0.1 V	50	3.0	10	50	231
PCI0420T-301-AU	100/260	100MHz,0.1 V	45	3.0	10	50	301
PCI0420T-401-AU	200/400	100MHz,0.1 V	50	2.5	10	50	401
PCI0420T-701-AU	500/700	100MHz,0.1 V	59	2.2	10	50	701
PCI0420T-102-AU	800/1000	100MHz,0.1 V	68	2.1	10	50	102
PCI0420T-122-AU	1000/1200	100MHz,0.1 V	74	2.0	10	50	122
PCI0420T-142-AU	1200/1400	100MHz,0.1 V	81	1.9	10	50	142

NOTE: □-tolerance M=±20%

1. Operating temperature range - 4 0 °C ~ 1 0 5 °C(Including self - temperature rise)

2. I_{rms} for a 40°C temperature rise from 25°C ambient.

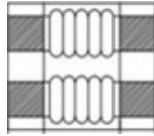
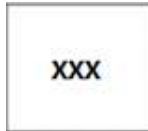
3. Z:1,2-4,3 Common mode

-AU FOR COMPLETELY LEAD FREE TYPE(INCLUDING FERRITE BODY & SOLDER)

PCI0420T Series Specification

8 PCI0420T Series

8.1 Construction:

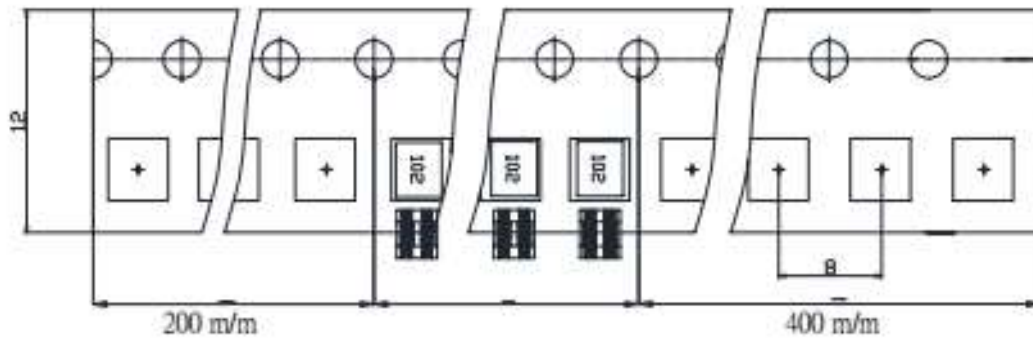


8.2 Material List:

NO.	Item	Description
1	Core	Ferrite
2	Cover	Mylar
3	Wire	P180 Grd1
4	Ink	Black

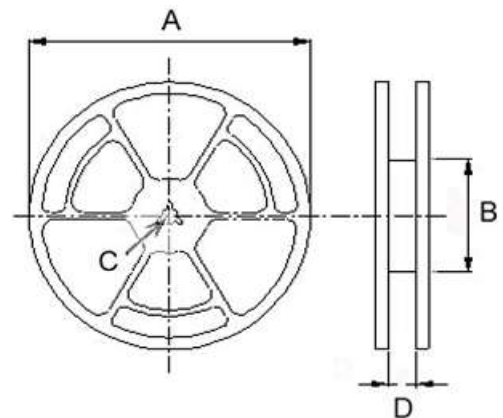
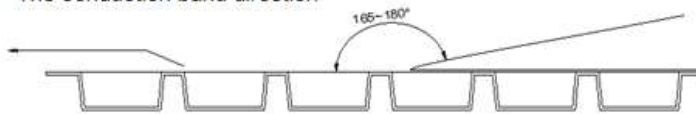
PCI0420T Series Specification

9 Packaging:



Transparent carrier and cover tape/透明載帶和自粘上帶

Adhesive strength of cover tape is 20 to 120 gf
The conduction band direction



Reel Dimensions (Unit: mm)				Quantity
A	B	C	D	Pcs/Reel
178	100	13	12.5	1000

10 Note:

1. Please make sure that your product has been evaluated and confirmed against your specifications when our product is mounted to your product.
2. Do not knock nor drop.
3. All the items and parameters in this product specification have been prescribed on the premise that our product is used for the purpose, under the condition and in the environment agreed upon between you and us. You are requested not to use our product deviating from such agreement.
4. Please keep the distance between transformer/coil and other components (refer to the standard IEC 950)
5. The moisture sensitivity level (MSL) of products is classified as level 1.